

Hypertherm®

HyPerformance™ Plasma HPR260™

Consumables



HPR260



HPR260 torch

Mild steel

	Shield cap	Shield	Retaining cap	Nozzle	Swirl ring	Electrode
30A		220194	220313	220193	220180	220192
80A	220173	220189	220176	220188	220179	220187
130A		220183	220176	220182	220179	220181
200A		220356	220355	220354	220353	220352
260A	220398	220440	220433	220439	220436	220435

Stainless steel

	Shield cap	Shield	Retaining cap	Nozzle	Swirl ring	Electrode
45A		220202	220304	220201	220180	220308
80A	220173	220338	220304	220337	220179	220339
130A		220198	220304 (H35) 220176 (N ₂)	220197	220179	220307
200A		220345	220344	220343	220342	220307
260A	220398	220407	220344	220406	220405	220307

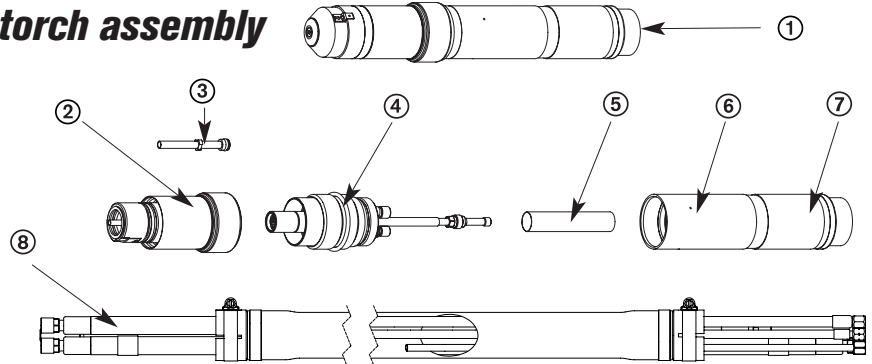
Aluminum

	Shield cap	Shield	Retaining cap	Nozzle	Swirl ring	Electrode
45A		220202	220176	220201	220180	220308
130A	220173	220198	220304 (H35) 220176 (Air)	220197	220179	220307 (H35) 220181 (Air)
200A		220345	220347	220346	220342	220307
260A	220398	220407	220344	220406	220405	220307

HPR260 consumables

MATERIAL	CONSUMABLE DESCRIPTION	260 AMPS	200 AMPS	130 AMPS	80 AMPS	45 AMPS	30 AMPS
Mild steel	Electrode	220435	220352	220181	220187	-----	220192
	Swirl ring	220436	220353	220179	220179	-----	220180
	Nozzle	220439	220354	220182	220188	-----	220193
	Inner retaining cap	220433	220355	220176	220176	-----	220313
	Shield	220440	220356	220183	220189	-----	220194
	Shield cap	220398	220398	220173	220173	-----	220173
Stainless steel	Electrode	220307	220307	220307	220339	220308	-----
	Swirl ring	220405	220342	220179	220179	220180	-----
	Nozzle	220406	220343	220197	220337	220201	-----
	Inner retaining cap	220344	220344	220304 (H35)	220304	220304	-----
	Shield	220407	220345	220198	220338	220202	-----
	Shield cap	220398	220398	220173	220173	220173	-----
Aluminum	Electrode	220307	220307	220307 (H35)	-----	220308	-----
	Swirl ring	220405	220342	220179	-----	220180	-----
	Nozzle	220432	220346	220197	-----	220201	-----
	Inner retaining cap	220344	220347	220304 (H35)	-----	220176	-----
	Shield	220407	220345	220198	-----	220202	-----
	Shield cap	220398	220398	220173	-----	220173	-----

HyPerformance Plasma HPR260 torch assembly



HPR260 torch

ITEM NO.	PART NO.	DESCRIPTION
1	128818	HPR torch assembly
2	220162	Quick-disconnect torch
3	220340	Water tube with O-Ring
4	220163	Quick-disconnect receptacle
5	024249	Insulating sleeve
6	220164	Torch mounting sleeve
7	220232	Torch mounting sleeve assembly (includes item number 8)
	128879	Torch kit: Bullet plugs, O-Rings, water tube and seal
	128880	Quick-disconnect kit: O-Ring and connector
8	128784	25' (7.5 m) Leads
8	128785	50' (15 m) Leads

Hypertherm and HyPerformance and HPR are trademarks of Hypertherm, Inc., and may be registered in the United States and/or other countries.

Hypertherm®

Hypertherm, Inc.
Hanover, NH 03755 USA
603-643-3441 Tel

Hypertherm (S) Pte Ltd.
417847, Republic of Singapore
65 6 841 2489 Tel

Hypertherm (Shanghai) Consulting Co., Ltd.
P.R. China 200052
86-21-52583330 /1 Tel

Hypertherm Europe B.V.
4704 SE Roosendaal, Nederland
31 165 59 69 07 Tel

HYPERTHERM BRASIL LTDA.
Guarulhos, SP - Brasil
55 11 6482 1087 Tel

www.hypertherm.com